



Healthcare Equipment

Mobile Shower Commodes



Pushchairs



KAI12S

PUSH CHAIR / ATTENDANT PROPELLED

Designed for multi-user situations - such as hospital and nursing homes - with simple-to-use swing up arms and foot-operated sliding foot rest. Manufactured from long lasting, durable, stainless steel tube and mounted on 4 x 125 mm dia., water resistant castors, 2 braking on front. Flexible impervious PVC backrest.

120kg

KAI12Z

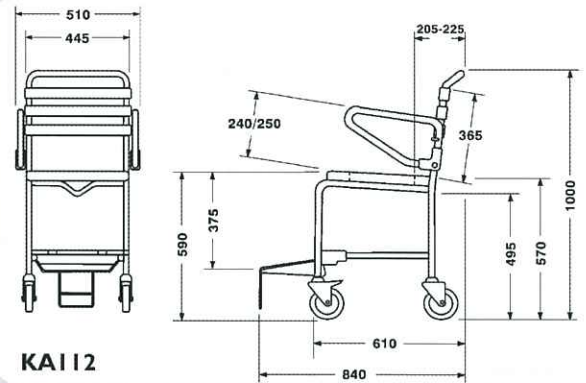
ECONOMY PUSH CHAIR/ ATTENDANT PROPELLED

Mild steel pre-zinc and epoxy coated frame. All other specifications as for KAI12S. Not all options are suitable for KAI12Z. Please contact your K Care Healthcare Equipment representative for details.

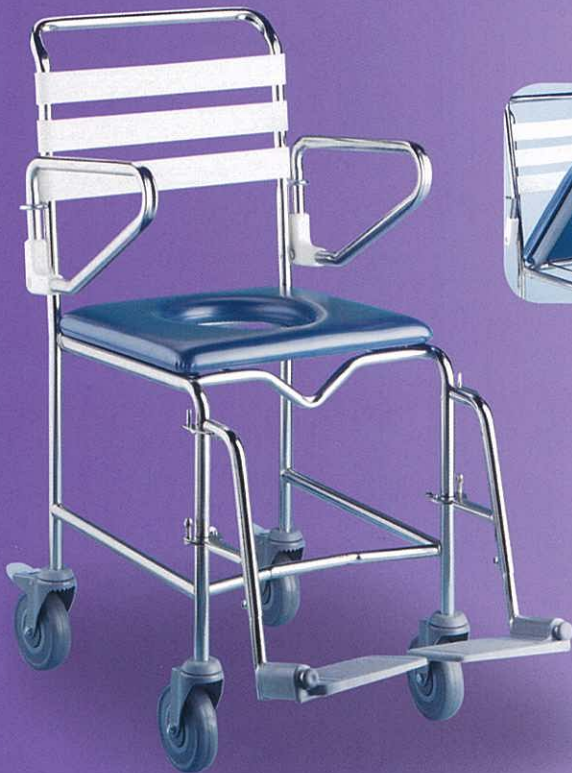
OPTIONAL CASTORS

1. Stainless steel. (KAI1SCSSX Swivel Castors, KAI1TLSSX Braking Castors)
2. 4 braking (KAI1CBX)

Seats are optional. Please refer to seat section for details



KAI12



KAI14S

PERSONAL PUSH CHAIR / ATTENDANT PROPELLED

Designed for personal use with adjustable swing away foot rests. All other specifications and options as per model KAI12S.

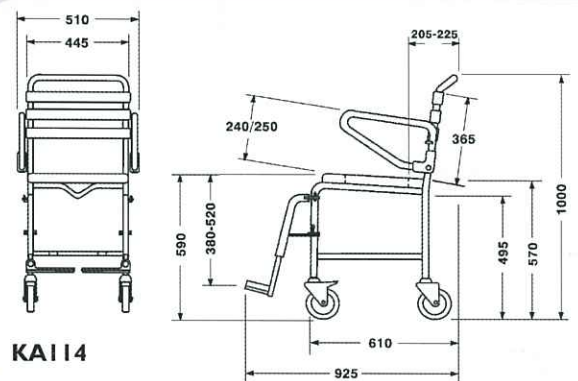
120kg

KAI14SJ

JUNIOR PUSH CHAIR

400mm overall seat width (hand made seat option only). All other specifications as per model KAI14S.

Seats are optional. Please refer to seat section for details



KAI14

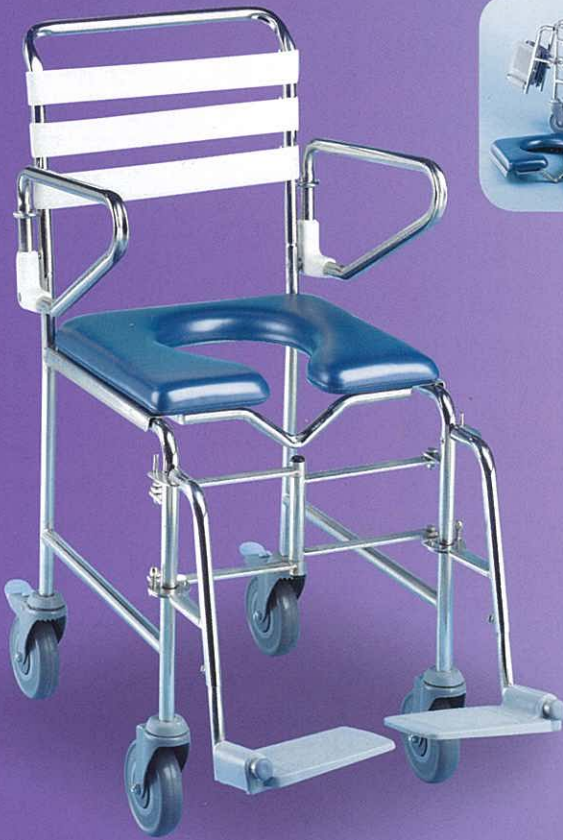
REMOVABLE SEAT (PATENTED)

All shower commodes in this brochure are designed to use our removable seats. These seats can be interchanged for another model to suit the individual user. They can also be easily removed for cleaning and service.

WARNING

All of the mobile shower commodes in this brochure are designed and manufactured for 'indoor' use on reasonably level surfaces. Please exercise caution when manoeuvring or transferring to and from the shower commode.

Pushchairs



KA116S

PERSONAL FOLDING PUSH CHAIR/ ATTENDANT PROPELLED

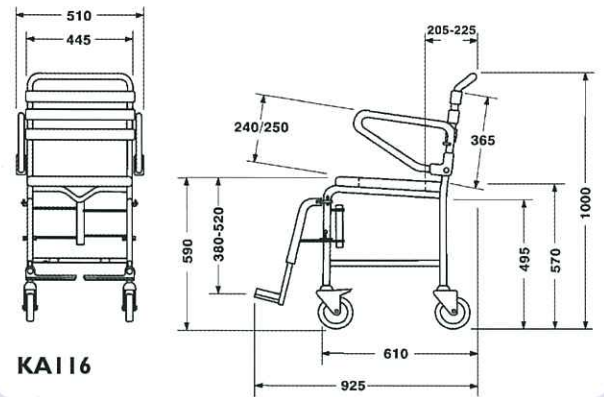
Designed for those who wish to travel. This model dismantles neatly. All other specifications as per model KA114S.

 120kg

Seats are optional. Please refer to seat section for details

WARNING

This product is designed to dismantle for transportation. Please ensure the seat frame and backrest are securely positioned when reassembling the commode.



KA116

Paediatric



KA114SC

CHILD MOBILE SHOWER COMMUNE

Designed to cater for children or smaller users with a seat width of 320mm. The KA114SC is supplied with two 125mm diameter swivel castors and two 125mm diameter braking castors, swing

up armrests for easier transfer and adjustable height swing away foot rests.

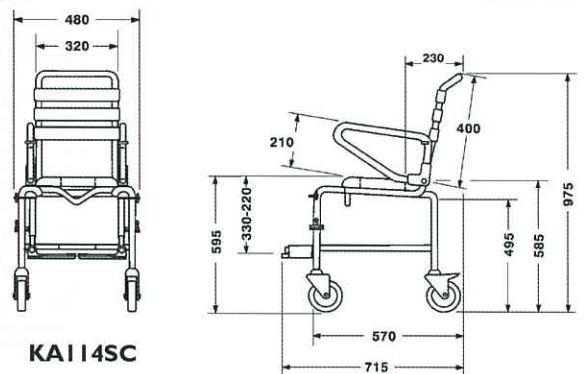
KA120SRC

The KA120SRC has the features of the KA114SC except it is supplied with 560mm diameter rear wheels for users to self propel.

Due to the unique design of the KA114SC and KA120SRC not all options may be suitable. Please contact your K Care Healthcare Equipment representative for details.

WARNING

All of the mobile shower commodes in this brochure are designed and manufactured for 'indoor' use on reasonably level surfaces. Please exercise caution when manoeuvring or transferring to and from the shower commode



KA114SC

Seats are optional. Please refer to seat section for details

Self-propelled



KA120SR

SELF PROPELLING (LARGE REAR WHEELS)

Designed for personal independence with 560mm dia., reinforced nylon waterproof rear self propelling wheels. The wheels are flush with the top of the seat, allowing unrestricted side transfer. Simple to use, swing-up arm rests and adjustable swing away foot rests. Manufactured from long lasting durable stainless steel with 125mm dia., water resistant castors. Flexible, impervious PVC back rest.

120kg

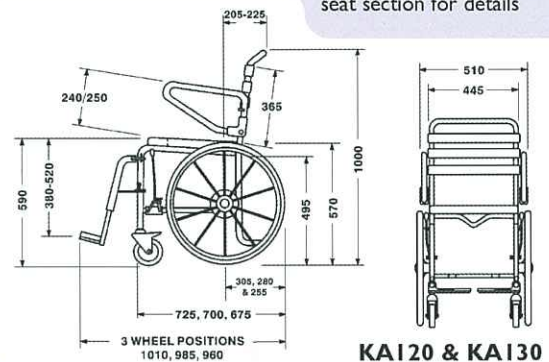
KA120SF

SELF PROPELLING (LARGE FRONT WHEELS)

Designed for personal independence with 560mm dia., reinforced nylon waterproof front self propelling wheels. The wheels are flush with the top of the seat, allowing unrestricted side transfer. Adjustable height foot rest (non swing away). All other specifications as per KA120SR.

KA120SRJ

400mm overall seat width. All other specifications as per KA120SR. Seats are optional. Please refer to seat section for details



KA120 & KA130



KA130S

FOLDING, SELF PROPELLING (LARGE REAR WHEELS)

Designed for those who wish to travel. This model will dismantle neatly. All other specifications as per model KA120SR.

120kg

WARNING
This product is designed to dismantle for transportation. Please ensure the seat frame and backrest are securely positioned when reassembling the commode.

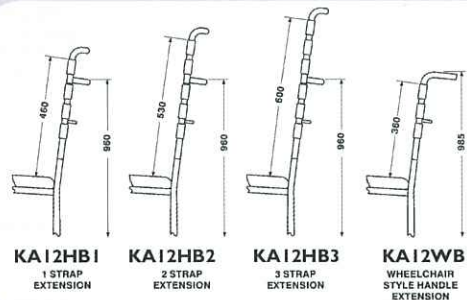
Optional Backs



KA12WB WHEELCHAIR PUSH BACK
Fits KA120SR, KA130S and KA116S. Other models modified at time of manufacture.



KA12HB STRAP EXTENSION
3 sizes available. Fits KA120SR, KA130S and KA116S. Other models modified at time of manufacture.



Tilt in Space



KF11507



KF11508


KF11507

TILT IN SPACE SHOWER COMMODE

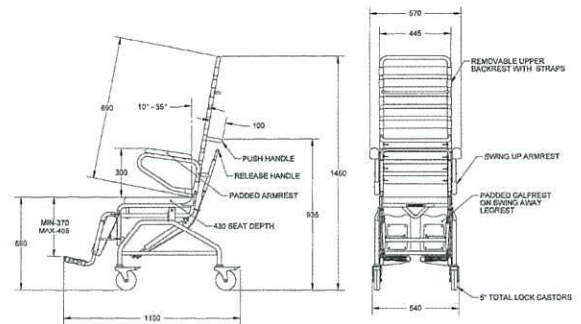
Comfortably retains the occupant in a desirable seating position. Manufactured from stainless steel tube. The gas strut mechanism facilitates easy tilt positioning of the shower commode. This shower commode is multi-positional from 10° to 35° from vertical.

Features include four 125mm diameter-braking castors, calf supports, 825mm high backrest and swing up arms.

KF11508

Supplied with padded armrests and side panels. All other specifications as per KF11507.  135kg

Seats are optional. Please refer to seat section for details



KF11507


Maxi Tilt in Space

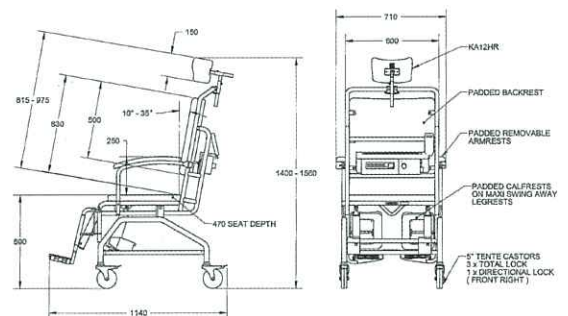


KF11506

MAXI TILT IN SPACE SHOWER COMMODE

Designed to cater for bariatric users, this shower commode comes with a fully reinforced stainless steel frame. Robust electric actuators perform a smooth and effortless tilting action, while the padded back, armrests, calf pads and optional seat ensure user comfort. Other features include removable armrests, swing away adjustable leg rests and low maintenance locking castors (3 x braking & 1 directional lock).

 225kg



KF11506

Seats are optional. Please refer to seat section for details

Maxi Range

KAI 12S50/KAI 14S50

These two models have a 500mm seat width. Both are manufactured from durable stainless steel and feature 125mm diameter braking castors as standard. Swing up padded arm rests are fitted to both models. The KAI 12S50 features a slide out foot board and removable swing away leg rests are fitted to the KAI 14S50 (not illustrated).

Attendant propelled Maxi shower commode

Seat Width: 500mm
Seat Depth: 430mm
Seat Height at Front: 590mm (both models)

150kg

KAI 12S55/60/65

These larger models provide additional support for users who need a seat width greater than 500mm. These reinforced frames feature a padded back rest, seat and removable padded arm rests to enhance user comfort. 125mm diameter braking castors are fitted to help secure the position of the commode when transferring. A slide out foot board is fitted to these models.

Attendant propelled Maxi shower commode

The KAI 12S55 is supplied with seat dimensions of 550mm wide by 440mm deep, the KAI 12S60 has seat dimensions of 600mm wide by 450mm deep, and the KAI 12S65 has a seat width of 650mm wide by 460mm deep. The seat height from floor to top front of seat on all three models is 590mm.

| | | |
|-----------|-----------|-----------|
| KAI 12S55 | KAI 12S60 | KAI 12S65 |
| 195kg | 210kg | 225kg |

KAI 14S55/60/65

These larger models provide additional support for users who need a seat width greater than 500mm. These reinforced frames feature a padded back rest, seat and removable padded arm rests to enhance user comfort. 125mm diameter braking castors are fitted to help secure the position of the commode when transferring. Removable swing away leg rests are fitted to these models.

Attendant propelled Maxi shower commode

The KAI 14S55 is supplied with seat dimensions of 550mm wide by 440mm deep, the KAI 14S60 has a seat of 600mm wide by 450mm deep, and the KAI 14S65 has a seat width of 650mm wide by 460mm deep. The seat height from floor to top front of seat on all three models is 590mm.

| | | |
|-----------|-----------|-----------|
| KAI 14S55 | KAI 14S60 | KAI 14S65 |
| 195kg | 210kg | 225kg |

KAI 20SR50

This commode comes with all of the features of the KAI 14S50, with the addition of 560mm rear wheels in place of the rear castors. This model has been designed for users that can self propel. Seat width is 500mm.

Self propelled Maxi shower commode

Seat Width: 500mm
Seat Depth: 430mm
Seat Height at Front: 590mm

150kg

All Maxi shower commode seats are optional. Please contact your K Care Healthcare Equipment representative for further details.

Seats

Due to the wide range of individual seating requirements, we generally supply our seats separately to the Mobile Shower Commode. We have over 35 seat options. If none of our seats meets the users requirements we can custom make a seat that will. Please contact your K Care Healthcare Equipment representative for details. Our seats are supplied with three basic apertures. These being closed front, open or side opening aperture.



KAIIPC PB
Closed front.
Machine made padded seat.



KAIIP OPB
Open front.
Machine made padded seat.



KAI IHRP
Handmade padded seat.
Right hand opening.



KF01131
Open front pressure care seat.
KF00132
Closed front pressure care seat. Both seats substantially reduce the seating pressure experienced by the user, through the combination of 4 way stretch material and specially engineered seat foam.

KAI IHCP
Closed front. Hand made padded seat also available.

KAI IHOP
Open front. Hand made padded seat also available.

KAI IHLP
Hand made padded seat.
Left hand opening
Please note: Recommend side opening frame to gain full use of the seat.



All K-Care seats are supplied with the unique patented removable seat feature. Our seats easily clip onto the shower commode and are just as easily removed. This feature assists with easy cleaning of the seat and shower commode. It also allows easy seat interchange to suit the individual user and for service.

OTHER SEAT OPTIONS ARE AVAILABLE. PLEASE CONTACT YOUR K CARE HEALTHCARE EQUIPMENT REPRESENTATIVE FOR DETAILS.

Options



KAI IAFS FOLDING SAFETY ARMS
Folding safety arms give the user extra security. They fold away, free from obstruction.



KAI ILK LOCK DOWN ARMS
Locking mechanism used to lock down swingup arms.



KAI IRA REMOVABLE ARMS
Removable arm with push button lock.



KAI IDA DROPSIDE ARMS
Ideal for obstruction free side transfers.



KAI IAW PADDED VINYL ARMREST
Padded vinyl armrests to fit all model arms.



KAPA ARMREST
Durable polypropylene armrest providing extra user comfort.



KAI IG GUTTER SUPPORT
Gutter support. Padded to fit all model arms.



KAI 12F FOOTPLATE EXTENSION
Aluminium footplate extension 250mm x 180mm.



KAI 2L SINGLE LEG EXTENSION
Stainless steel, clip on left or right. KA12LD Double leg extension.



KAI 2EL(Left) ELEVATING LEGRESTS
Elevating swing-away legrests adjustable from 0° to 85° off vertical. KA12ELR(Right)also available

Options

Please refer to page 3 for optional backs.



**KA12LP (RP)
STUMP SUPPORT**
Swing away padded vinyl adjustable 50mm from below to above seat.
KA12LP (Left side)
KA12RP (Right side)



**KA12BE
BRAKE
EXTENSION LEVER**
Fits over standard brake lever to extend lever 150mm above seat for self propelled models



**KA11EF
FRONT CASTOR
EXTENSION**
200mm extension for extra forward stability on model KA112S. Normally used with KA12L leg extension.



**KA11ER
REAR CASTOR
EXTENSION**
120mm extension for rear stability on models KA112S, KA114S & KA116S



**KA12B
ANTI-TILT
WHEELS**
Will fit models KA120S & KA130S.



**KA11OX
OXYGEN BOTTLE
CARRIER**
Stainless steel oxygen bottle carrier bolts on to rear leg upright (left or right).



**KA11P
POMMEL**
Padded vinyl suitable for all models.



**KA11H R(L)
RIGHT (LEFT) SIDE
OPENING SEAT**
Handmade padded vinyl seat fits all modified commodes; eg as shown above on KA130SOR.



**KA11PV
PADDED SEAT**
Padded seat with velcro attachment for extra padding. Recommended for use on hard seats.



**KA11PS
TIE ON SEAT
KA11PB
TIE ON BACK**
Padded seat made from waterproof covering. Padded back 200mm high.



**KA11PBF
FIXED, CURVED,
PADDED BACK**
Fixed curved padded back 200mm high.



**KA12HR
BOLT-ON HEAD
REST**
Bolt-on headrest. Adjustable height, angle and depth.



**KA11ST
PELVIC STRAP
KA11CST
CHEST STRAP**
Both can be fitted to all models.



KA11SBP, KA50B
Bowl carrier & bowl with lid and carry handle.
KA11SPP, KA11B
Bedpan carrier & bedpan



**KA11IV
IV POLE**
IV pole clamp-on with adjustment from floor 1200mm to 1700mm.



**KA11Z
BUDGET COMMODE WHITE**
Manufactured from mild steel tubing then zinc treated and epoxy powder coated for extended life. Mounted on 4 grey rubber castors (2 front braking), swing-up arms and a liftup toilet seat flap provides a practical yet affordable commode. Options include KA50B bowl and KA23F sliding footboard.



**KA23F
sliding footboard**

WARNING

To ensure long lasting and trouble free usage of the products detailed in this brochure, we recommend the following usage guidelines:

- All four wheels must be level on the floor.
- Heavy, uneven weight distribution may cause stress to the frame and may eventually result in damage to the shower commode.
- The weight capacity of these shower commodes may be reduced if the user applies their weight unevenly forcefully or positions the chair unevenly.



- KEY:** Option - Can be easily fitted to shower commode
 Modification - Fitted at time of shower commode manufacture.

CUSTOMISATION SERVICE

If none of our standard mobile shower commodes or options suits your needs, we can specially manufacture one that will. Please contact your K Care Healthcare Equipment representative for details.

CONSUMER HELP LINE 1800 998 430



K Care Healthcare Equipment
100 Mulgool Road Malaga WA 6090
ABN: 70 161 963 257
T: +61 8 9248 4444
F: +61 8 9248 4450
E: customerservice@kcare.com.au
W: www.kcare.com.au

ISO 9001
BUREAU VERITAS
Certification



Contact Details